

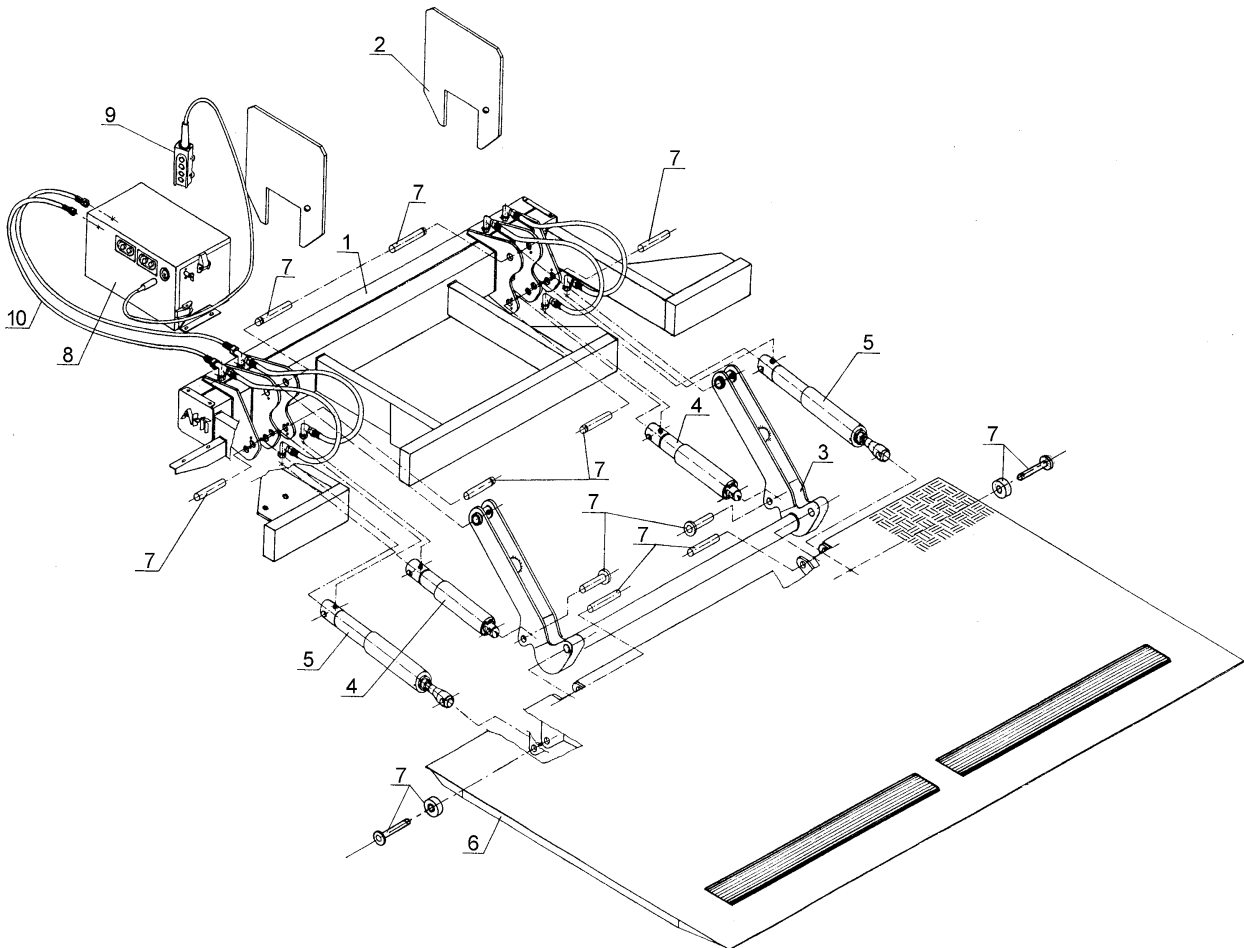
SPARE PART CATALOGUE FOR STEEL TAIL LIFT

L - 750ST **T I E M A N**

with Steel Platform 2200mm x 1250mm
with Valve Block MHW-VB-178
with Safety Loading System
with Valve Block MHW-VB-121-1
with Mechanical Hose Burst Valve

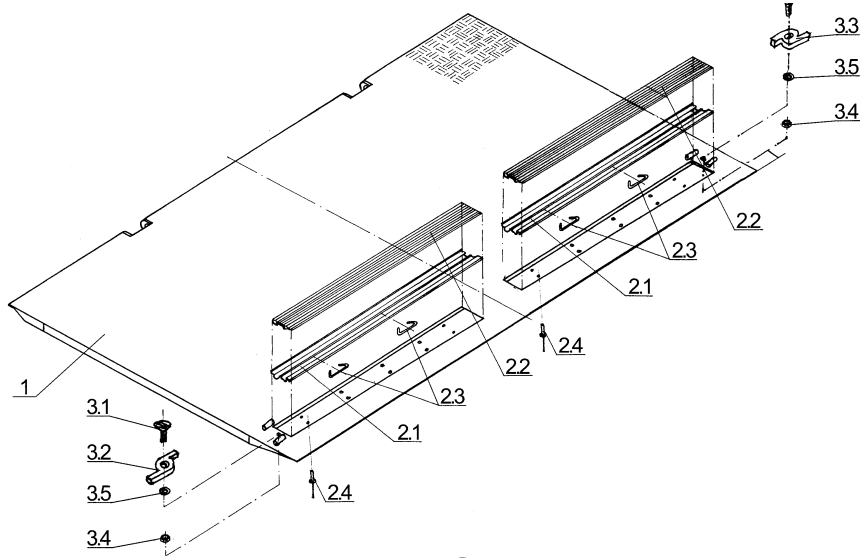
Steel Tail Lift L-750ST

No.	New Part No.	Description	pcs	Drawing No.
	LS2L750ST-10	Tail Lift, Assembly <i>Old Part No: ----</i>	1	L-750ST
1	TL0GCLLAX1120TO	Cross Beam, Assembly <i>Old Part No: 12105203</i>	1	L-500ST-1UB/MTL-T-1
2	FL0SGBS420300XX	Mounting Bracket <i>Old Part No: 12105290</i>	2	L-500ST-4
3	HLOGSM1120	Lift Arm Assembly (Middle)-834mm <i>Old Part No: 12105243</i>	1	L-500-STX-2M-1120
4	ZHS0G42SM	Lift Cylinder Assembly <i>Old Part No: 12205205</i>	2	HZ-750ST-42
5	ZSS0G42NXMXXM	Tilt Cylinder, (Middle) Assembly <i>Old Part No: 12205253</i>	2	SZ-750ST-42M
6	PL0GUAKKJEB1XX	Steel Platform with Roll Stop Assy <i>Old Part No: ---</i>	1	2200mm x 1250mm
7	BS0G3	Bolt Assembly <i>Old Part No: ---</i>	1	L-500ST-6
8	A2S0LMF2-SB1-	Power Pack 24V <i>Old Part No: 11418157</i>	1	S0LMF2-SB1-/24V
9	EA111500605PKPW	4-Button Remote-Control <i>Old Part No: 11500605</i>	1	MHW-JP-4KM
10	RS0GAS1120	Hydraulic Tubes Assembly <i>Old Part No: 12715205</i>	1	L-500ST-5MT/1120



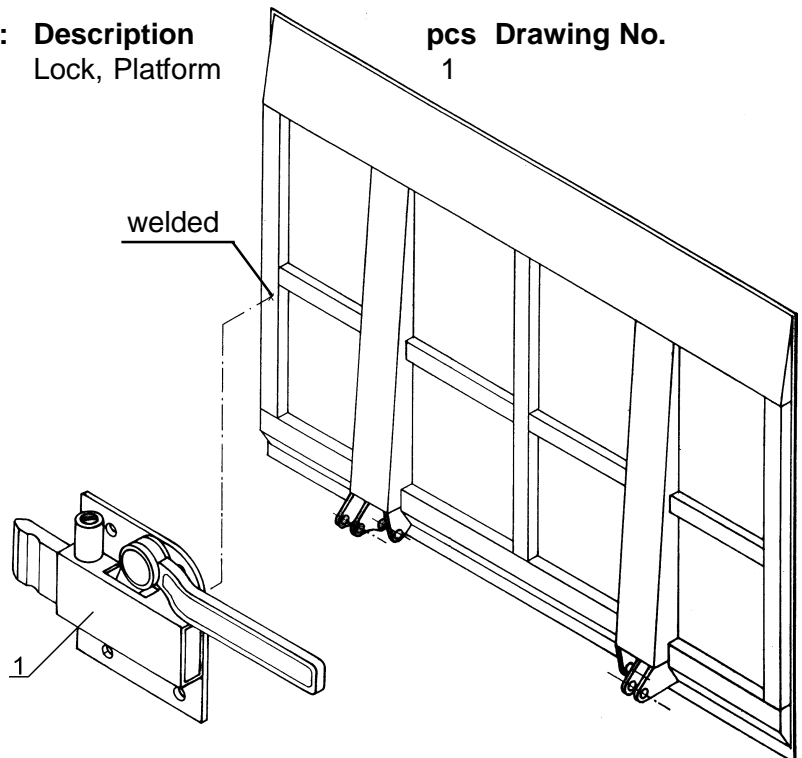
Steel Platform for L-750ST

No.	New Part No.	Old Part No:	Description	pcs	Drawing No.
1	PL0GUAKKJEB1XX	---	Steel Platform with Roll Stop	1	2200mmx1250mm
2.1	PA1RGZB0201	11300019	Profile, Roll Stop	2	K25768-L=888mm
2.2	PA1PGZB0204	11300004	Insert, Roll Stop	2	K10186-L=887mm
2.3	K11000103	11000103	Spring, Roll Stop	4	
2.4	S200039060120	11800207	Revit for Profile, Roll Stop	20	6x12
3	PV1L0600	11000182	Hold down plate for Stop Assy	1	(left side)
	PV1R0600	----	Hold down plate for Stop Assy	1	(right side)
3.1	PV10601	11000225	Screw	2	L500ST-3RS-3.1TM
3.2	PV1L0602	11000226	Plate (left)	1	L-500ST-3RS-3.2TM/L
3.3	PV1R0602	11000228	Plate (right)	1	L-500ST-3RS-3.2TM/R
3.4	S98081080000	11800155	Safety Nut	2	M8
3.5	S12541084000	11800103	Disk	2	ø8



Lock for Steel Platform

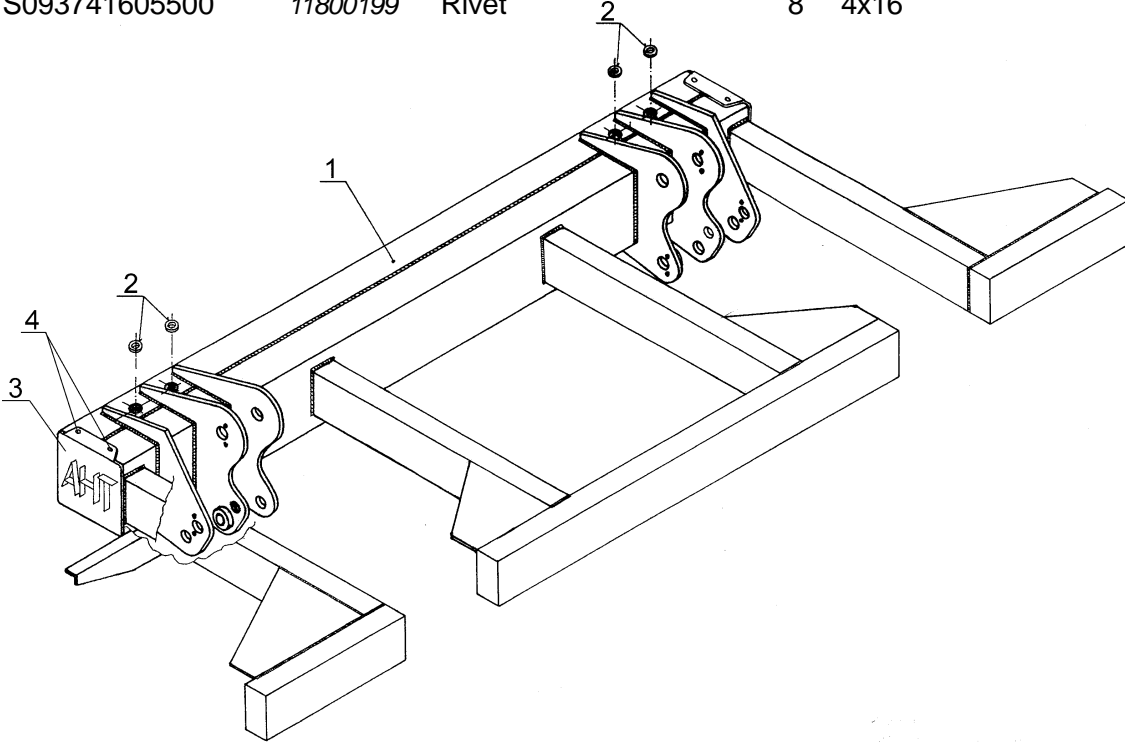
No.	New Part No.	Old Part No:	Description	pcs	Drawing No.
1	K11000185	11000185	Lock, Platform	1	



Cross Beam L-500ST-1UB/MTL-T-1

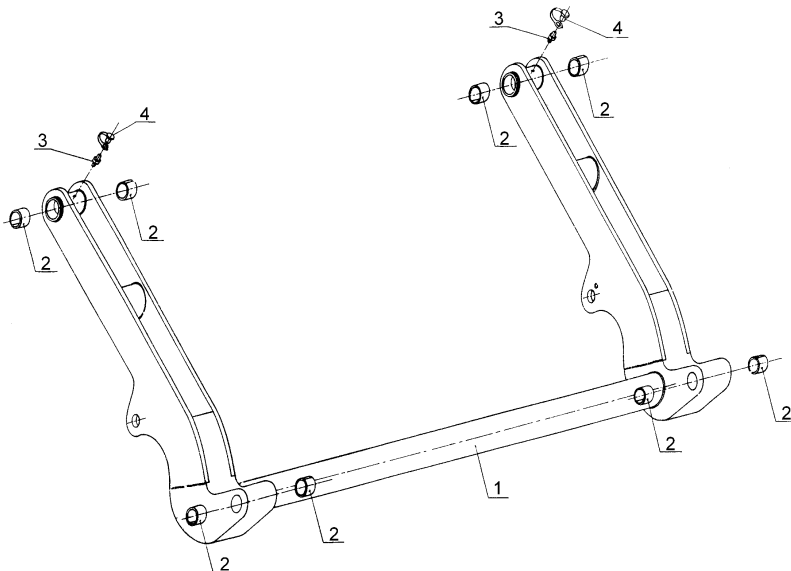
Mechanical Hose Burst Valve

No.	New Part No.	Old Part No:	Description	pcs	Drawing No.
1	TL0GCLLAX1120TO	12105203	Cross Beam, Assembly	1	L-500ST-1UB/MTL-T-1
2	K11000112	11000112	Rubber Sleeve	4	12/26
3	TS1G0207	---	Cover, Cross Beam	2	L-500ST-1.7
4	S093741605500	11800199	Rivet	8	4x16



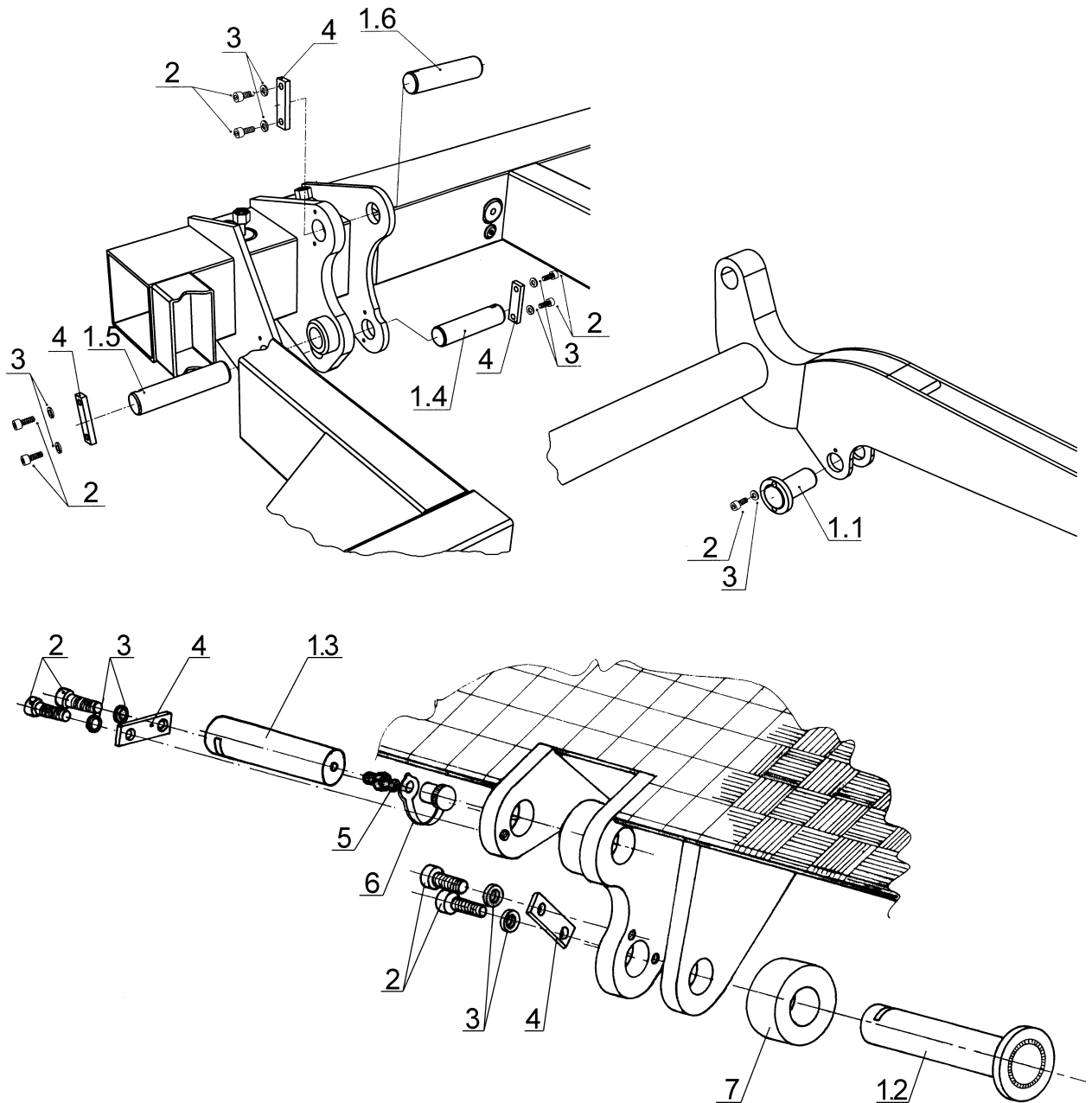
Lift Arm L-500-STX-2M-1120

No.	New Part No.	Old Part No:	Description	pcs	Drawing No.
1	HL0GSM1120	12105243	Lift Arm Assy (Middle)	1	L-500-STX-2M-1120
2	K11000106	11000106	Bushing, Rear and Front	4	DU 2520
	K11000099	11000099	Bushing, Rear and Front	4	DU 2515
3	S141241000007	10000090	Grease Fitting	2	MHW-SN-8x1-0
4	S141241000099	10000087	Cap, Grease Fitting	2	blue



Bolts for L-750ST

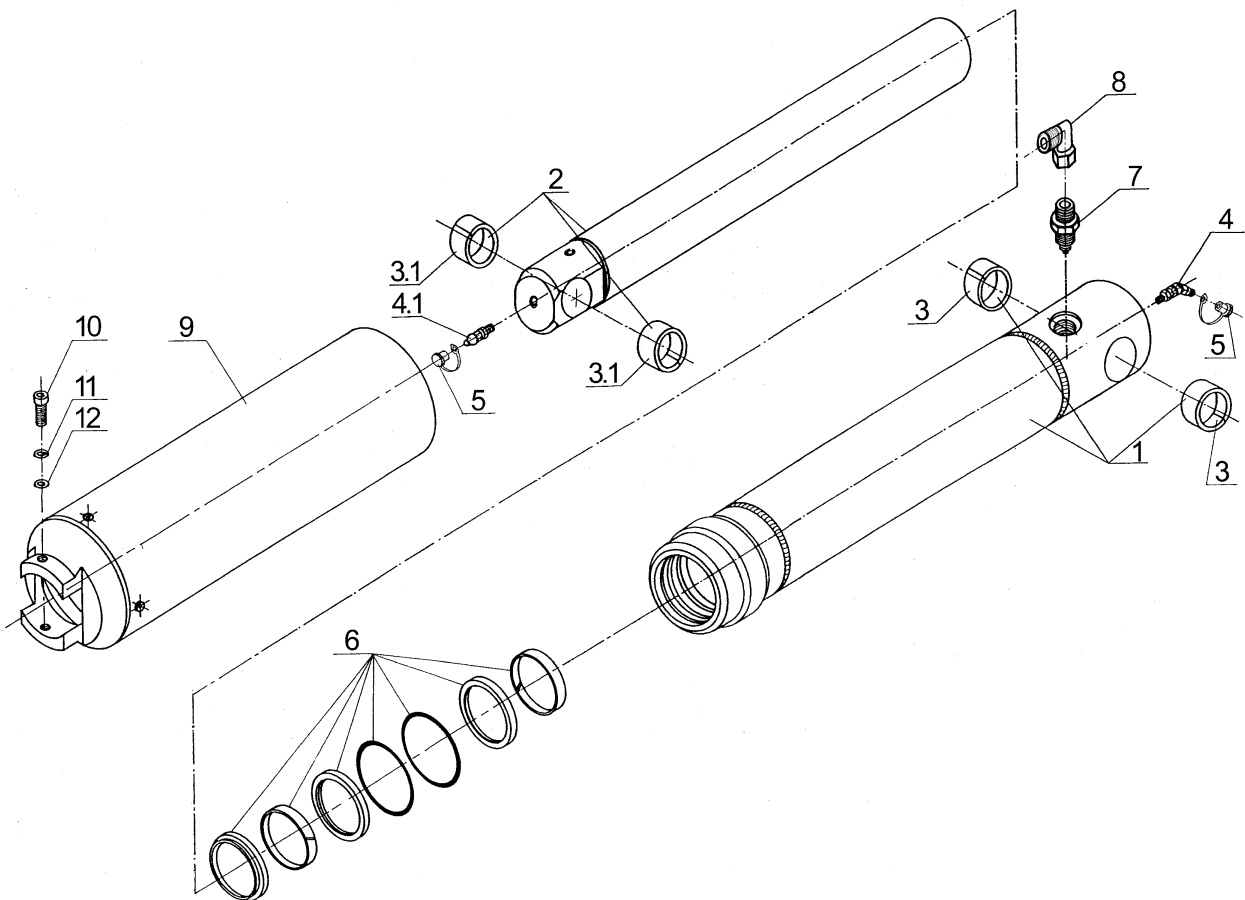
No.	New Part No.	Old Part No:	Description	pcs	Drawing No.
	BS0G3	12005202	Bolt Assembly	1	L-500ST-6
1.1	BS1GST0200	12005205	Bolt (Lift Arm-Lift Cylinder)	2	L-500ST-6.1 (L=62)
1.2	BS1GST0300	12005206	Bolt (Platform-Tilt Cylinder)	2	L-500ST-6.2 (L=147,5)
1.3	BS1GST0400	12005207	Bolt (Platform-Lift Arm)	2	L-500ST-6.3 (L=88,5)
1.4	BS1GST0500	12005208	Bolt (Cross Beam-Lift Cylinder)	2	L-500ST-6.5 (L=97)
1.5	BS1GST0600	12005209	Bolt (Cross Beam-Tilt Cylinder)	2	L-500ST-6.5 (L=112,5)
1.6	BS1GST0500	12005210	Bolt (Cross Beam-Lift Arm)	2	L-500ST-6.5 (L=97)
2	S91281050016	11800040	Cap Screw	20	ISKM6x16
3	S12741061002	11800120	Lock Washer	20	o 6
4	BS1ST0302	12000052	Locking Bracket	8	L-1500-6.7
5	S141241000007	10000090	Grease Fitting	2	MHW-SN-8x1-0
6	S141241000099	10000087	Cap, Grease Fitting	2	blue
7	BS1G0800	12200026	Wear Roll	2	L-500ST-6.7



Lift Cylinder HZ-750ST-42

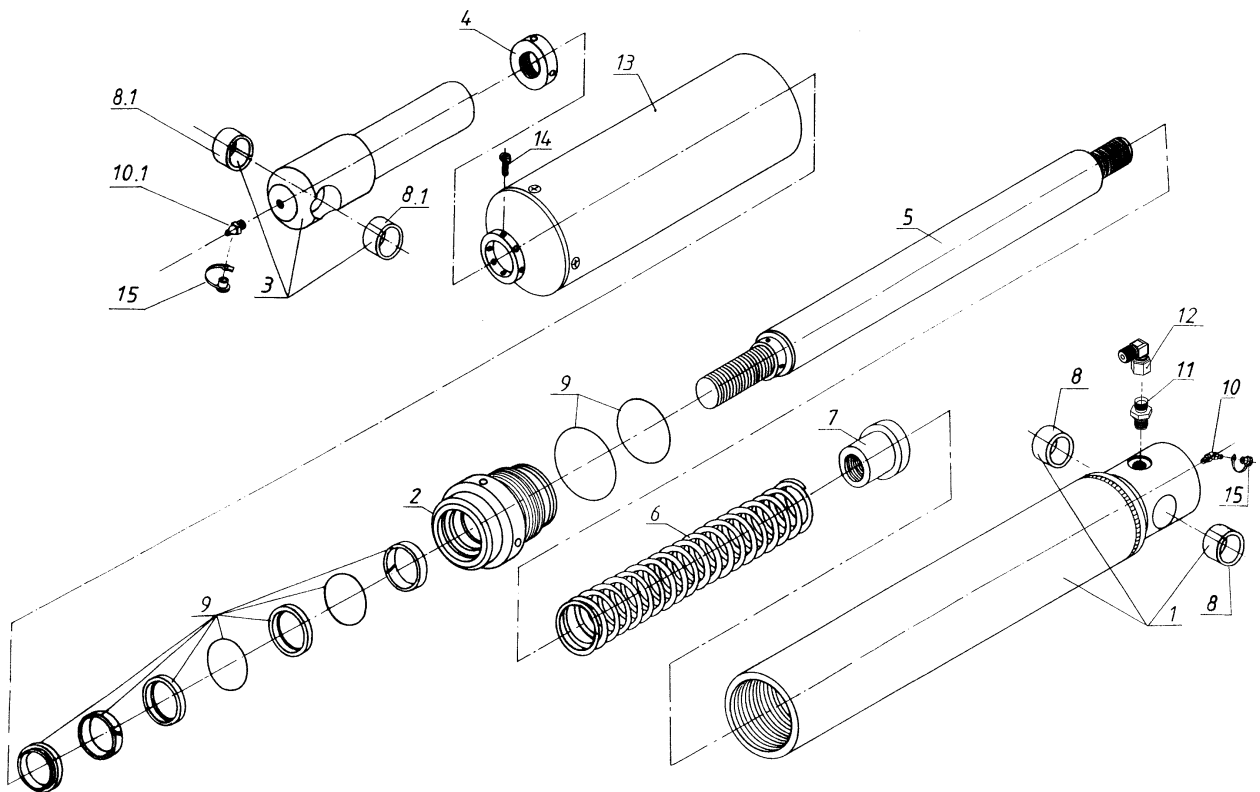
with Mechanical Hose Burst Valve

No.	New Part No.	Old Part No.	Description	pcs	Drawing No.
	ZHS0G42SM	12205205	Lift Cylinder, Right/Left Assy	1	HZ-750ST-42/MT
1	ZHS1GM0200	12205208	Cylinder Tube (Pos 1, 3, 4-6)	1	HZ-750ST-1
2	ZHS1G0300	12205220	Piston Rod (Pos 2, 3.1, 4.1, 5)	1	HZ-750-2AL
3	K11000106	11000106	Bushing, Cylinder Tube	2	DU 2520
3.1	K11000099	11000099	Bushing, Piston Rod	2	DU 2515
4	S141241000009	10000091	Grease Fitting 45 degree	1	MHW-SN-M8x1-45
4.1	S141241000007	10000090	Grease Fitting	1	MHW-SN-M8x1-0
5	S141241000099	10000087	Cap, Grease Fitting	2	blue
6	DH0G42	11605205	Seal Kit, Assembly	1	HZ-0420
7	AT11400240	11400240	Fitting w/Mech.Hose Burst Valve	1	MRBV-GE8-R3/8-ED
8	RV10700002	10700002	Elbow, 90 degree Fitting	1	EVW 8-PL/OM
9	ZHA1G0400	12205235	Cover, Dust Assembly	1	HZ-750-3
10	S91281050012	11800015	Bolt, Locking Hex	2	ISK M5x12
11	S12741051002	11800119	Lock Washer	2	ø5
12	S12541053000	11800108	Disk	2	ø5



Tilt Cylinder SZ-750ST-42M

No.	New Part No.	Old Part No:	Description	pcs	Drawing No.
	ZSS0G42NXMXXM	---	Tilt Cylinder, (Middle) Assembly	1	SZ-750/ST-42M
	ZSS0G42NXYXXM	12205253	Tilt Cylinder, (Middle)	1	SZ-750/ST-42M *
1	ZSS1GMNX0200	12205258	Cylinder Tube (Pos. 1,8,10,15)	1	SZ-750ST-1
2	ZSA1G0302	12205262	Piston Guide	1	SZ-750-2
3	ZSA1GM0400	12200010	Clevis with Bushings (Middle)	1	SZ-750-6M
4	ZSA1G0500	12200012	Lock Nut	1	SZ-500-11
5	ZSA1GM0301	12205270	Piston Rod $\varnothing 42$	1	SZ-750-3M,L
6	ZSA1G0304	12200131	Opening Spring	1	SZ-750-8
7	ZSA1G0303	12200128	Nut for Opening Spring	1	SZ-750-4
8	K11000106	11000106	Bushing, Cylinder Tube	2	DU 2520
8.1	K11000099	11000099	Bushing, Clevis	2	DU 2515
9	DS0G42	11600098	Seal Kit, Assembly	1	SZ-0420
10	S141241000009	10000091	Grease Fitting 45 degree	1	MHW-SN-8x1-45
10.1	S141241000007	10000090	Grease Fitting	1	MHW-SN-8x1-0
11	AT11400240	11400240	Fitting w/Mech. Hose Burst Valve	1	MRBV-GE8-R3/8-E-A
12	RV10700002	10700002	Elbow, 90 degree Fitting	1	EVW 8-PL/OM
13	ZSA1G0600	12205275	Cover, Dust Assembly	1	SZ-750-6
14	S91281050020	11800136	Cap Screw	2	ISK M5x20
15	S141241000099	10000087	Cap, Grease Fitting	2	blue



* without Clevis and Nut

Power Pack S0LMF2-SB1-

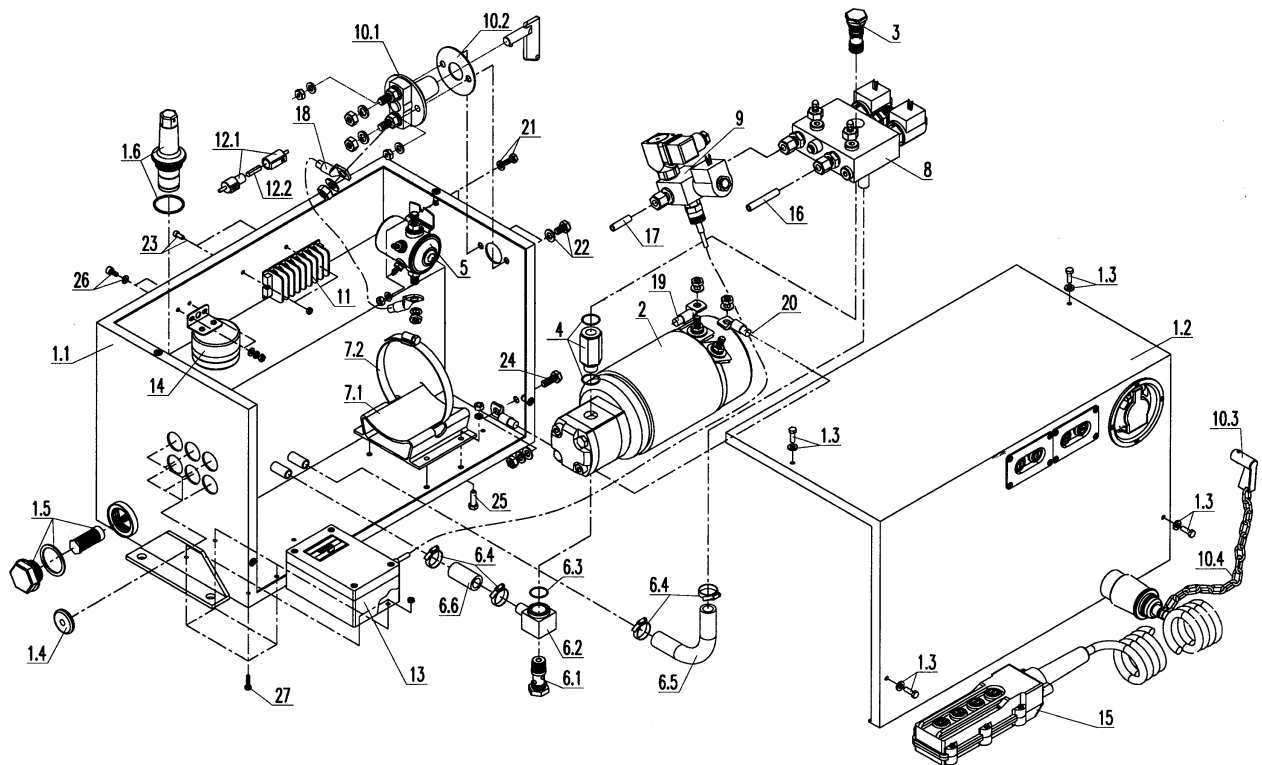
with Valve Block MHW-VB-121-1

No.	New Part No.	Old Part No:	Description	pcs	Drawing No.
	A2S0LMF2-SB1-	----	Power Pack 24V Assembly	1	S0LMF2-SB1-
1.1	AT11400210	11400212	Oil Reservoir	1	TM03-0-1
1.2	AT11400215	11400215	Cover, Power Pack	1	TM03-0-2
1.3	S93381050016	11800037	Countersunk screw w. philips head	4	SK M5x16 NIRO
	S12541053000	11800108	Flat Washer	4	ø5 NIRO
1.4	K11000112	11000112	Rubber Sleeve	6	12/26
1.5	AT11400198	11400198	Oil drain plug R1" w/suction filter	1	MHW-AFS-15.9/3
1.6	AT11400285	11400198	Dipstick, Oil Reservoir w/O-Ring	1	MHW-TVST-2
2	AT11400001	114000001	Motor with Pump 24V	1	MHW-800/0,61/24
3	AT11400275	11400275	Shuttle Valve	1	MHW-WV-1FOR
4	AT11400034	11400034	Adapter w/O-Ring, Shuttle Valve	1	MHW-VS-U05
5	AT11400037	11400037	Starter Solenoid 24V	1	MHW-UNI-24V
6.1	AT11400041	11400041	Screw w/O-Ring for Suction Tube	1	MHW-BFS-KL-BG0
6.2	AT11400043	11400043	Suction Elbow w/O-Ring	1	MHW-AW-KL-BG0
6.3	DO094070	11600156	O-Ring	1	16x1,5
6.4	AT11400038	11400038	Clamp, Suction tube	4	SK 12/20
6.5	AT11400330	---	Return Tube	1	12/20 - L=235
6.6	AT11400331	---	Suction Tube	1	12/20 - L=54
7.1	AT11400046	11400046	Motor Base	1	MHW-ML-130
7.2	AT11400047	11400047	Clamp, Motor	1	SK 80-100/12
8	VB0178R2W3	11410086	Valve Block, Assembly 24V	1	MHW-VB-178/24V
9	VB012102X2	11410122	Valve Block, Assembly 24V	1	MHW-VB-121-0/24V
10.1	EA111500324	11500324	Battery Switch	1	
10.2	EA111500341	11500341	Seal, Battery Switch	1	
10.3	EA111500325	11500325	Key, Battery Switch	1	
10.4	EA111500482	---	Chlain, Key	1	L=300mm
11	EA111500333	11500333	Cable Connector	1	8 pole
12.1	EA111500114	11500114	Fuse Holder	1	MHW-BJS-1 / 1 pole
12.2	EA111500115	11500115	Fuse	1	15A - (24V)
13	AT11400253	11400253	Safety Loading System	1	"SLS" - TM1
14	AT11400089	11400089	Buzzer	1	
15	EA111500605CPKPW	---	4-Button-Remote-Control, Assy	1	MHW-TM-4KM
16	AT11400490	11400039	Tube	1	8x1 - L=105
17	AT11400491	11400040	Tube	1	8x1 - L=45
18	AT11400495	11400098	Cable, Starter Sol./Battery Switch	1	16mm ² - L=
19	AT11400493	11400096	Cable, Motor/Starter Solenoid	1	16mm ² - L=
20	AT11400494	11400097	Cable, Motor/Oil Reservoir	1	35mm ² - L=550
	AT11400496	11400082	Cable, Battery Switch/Battery (black)	1	35mm ² - L=8000
	AT11400497	---	Cable, Battery Switch/Battery (red)	1	35mm ² - L=8000
21	S91281060012	11800018	Allen key screw(Starter Solenoid)	2	M6x12
	S12541064000	11800102	Flat Washer	4	ø6
	S12741061002	11800120	Spring Waher	2	ø6
	S93481060000	11800142	Nut	2	M6
22	S91281060020	11800293	Allen key screw (Battery Switch)	2	M6x20
	S12541064000	11800102	Flat Washer	2	ø6
	S12741061002	11800120	Spring Waher	2	ø6
	S93481060000	11800142	Nut	2	M6
23	S96341040016	11800065	Hex head bolt (Cable Connector)	2	M4x16
	S93481040000	11800141	Nut	2	M4

Power Pack S0LMF2-SB1-

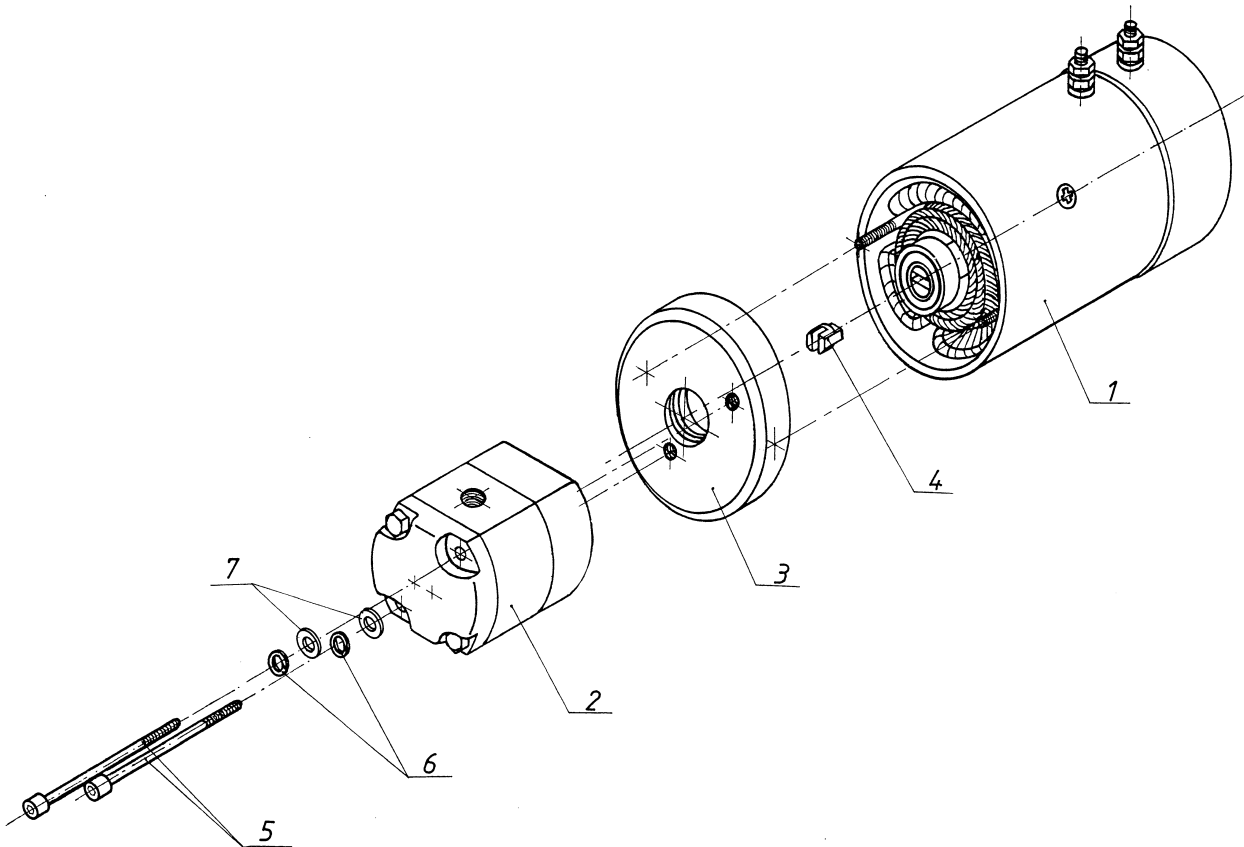
with Valve Block MHW-VB-121-1

No.	New Part No.	Old Part No:	Description	pcs	Drawing No.
24	S91281080020	11800023	Allen key screw (Cable/Reservoir)	1	M8x20
	S12541084000	11800103	Flat Washer	1	ø8
	S12741081002	11800121	Spring Waher	1	ø8
	S93481080000	11800143	Nut	1	M8
25	S91281060020	11800293	Allen key screw (Motor Base)	4	M6x20
	S12741061002	11800120	Spring Waher	4	ø6
	S93481060000	11800142	Nut	4	M6
26	S91281050012	11800015	Allen key screw (Buzzer)	2	M5x12
	S12541053000	11800108	Flat Washer	4	ø5
	S12741051002	11800119	Spring Waher	2	ø5
	S93481050000	11800148	Nut	2	M5
27	S96341040016	11800065	Hex head bolt (SLS-Box)	4	M4x16
	S93481040000	11800141	Nut	4	M4



Motor-Pump for L-750ST

No.	New Part No.	Old Part No:	Description	pcs	Drawing No.
	AT11400001	11400032	Motor-Pump Assembly	1	MHW-800/0,61/24
1	AT11400021	11400023	DC-Motor 24V	1	MHW-800-1-24V
	AT11401106	11400136	Carbon Brush Kit for Motor 24V	4	
2	AT11400009	11400009	Pump Assembly	1	MHW-0,61 *
3	AT11400092	11400092	Adapter	1	
4	AT11400054	11400054	Coupling	1	MHW-89/1
5	S91281050065	11800027	Cap Screw	2	ISK M5x65 *
6	S12741051002	11800120	Lock Washer	2	ø5
7	S12541054000	11800102	Disk	2	ø5

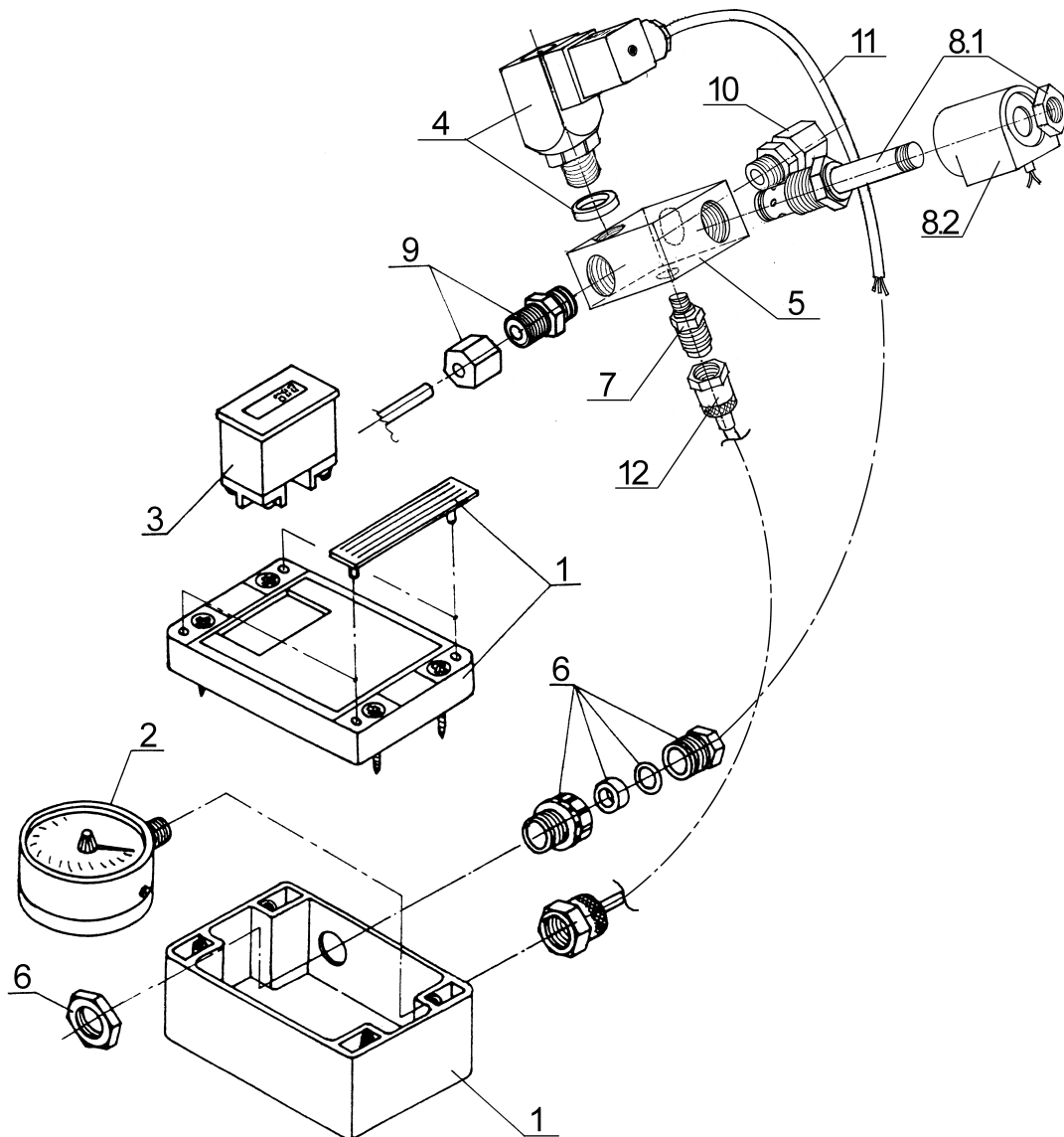


* Please call factory with Serial Number

Safety Loading System "SLS"

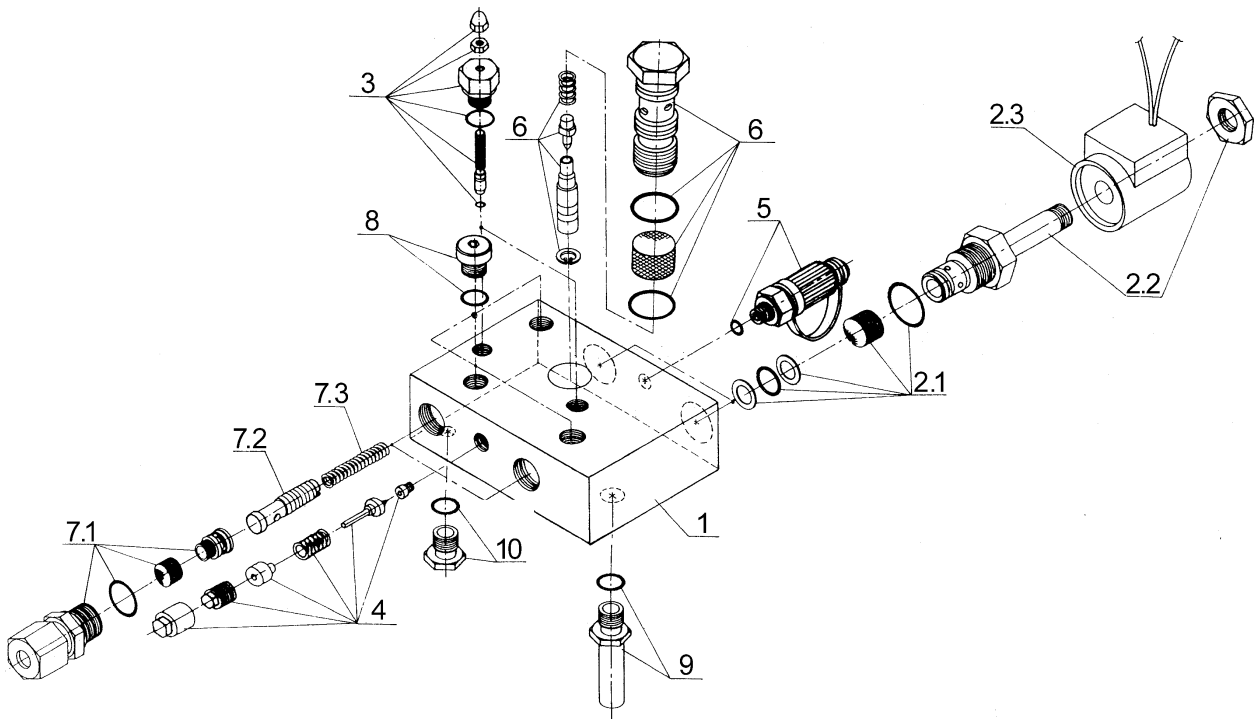
with Valve Block MHW-VB-121-1

No.	New Part No.	Old Part No:	Description	pcs	Drawing No.
	AT11400253	11400253	Safety Loading System (Pos. 1-3;6;11-12)	1	"SLS" - TM1
	VB012112X2	11410122	Valve Block MHW-VB-121-1/24V	1	MHW-VB-121-1/24
1	AT11400059	11400059	Housing, SLS	1	
2	AT11400060	11400060	Pressure Gauge with Memory	1	
3	AT11400061	11400061	Counter, Overload	1	
4	AT11400057	11400057	Pressure Switch	1	
5	VB11211XX2	11410099	Valve Block MHW-VB-121-1	1	MHW-VB-121-1
6	EA111500144	11500144	Cable Seal	1	PG 13,5
7	AT11400077	11400077	Adapter, Pressure Test	1	MHW-MM-8x1
8	AT11400071	11400071	Cartridge-Valve with Solenoid	1	MHW-C-10F/24V/L
8.1	AT11400064	11400064	Cartridge-Valve	1	MHW-C-10F
8.2	AT11400067	11400067	Solenoid 24 Volt	1	MHW-SP24VDC/L
9	RV10700000	10700000	Fitting	1	GE 8-PLR/R1/4
10	RV10700005	10700005	Fitting	1	EVGE 8-PLR/R1/4
11	EA111500067	11500067	Cable 3x1,5mm ²	1	L=350
12	RV11700020	11700020	Mini-Tube	1	L=300



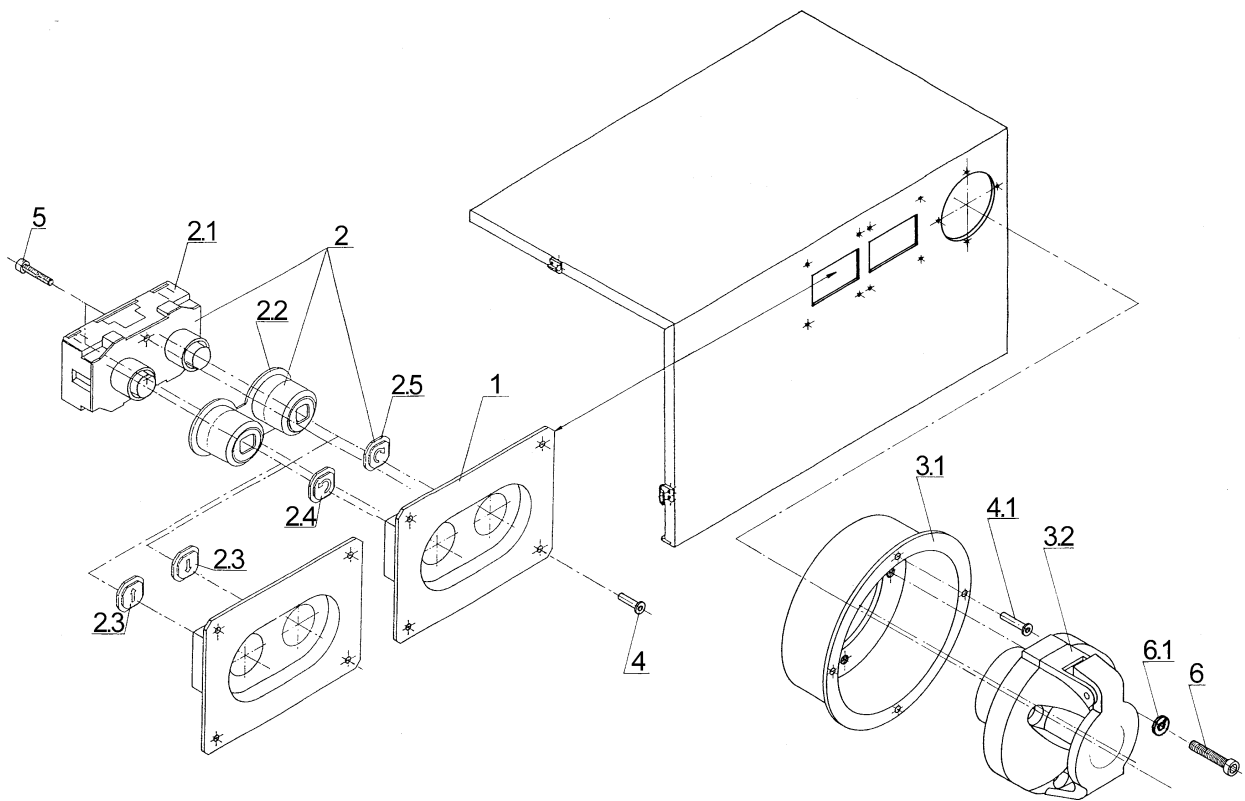
Valve Block MHW-VB-178

No.	New Part No.	Old Part No:	Description	pcs	Drawing No.
	VB0178R2W3	11410086	Valve Block 178 Assembly 24V	1	MHW-VB-178/24V
1	VB1178RXW3	11410083	Valve Block without Valves	1	MHW-VB-178
2	AT11400069	11400069	Valve 24V with Solenoid	2	MHW-C-30F/24V/L
2.1	D911600121	11600121	Seal Kit MHW-C-30 (Pos. 3.1 : 3.3)	1	MHW-C-30F/DS
2.2	AT11400063	11400063	Cartridge-Valve	2	MHW-C-30F
2.3	AT11400067	11400067	Solenoid 24 Volt	2	MHW-SP24VDC/L
3	AT11400076	11400076	Wheel, Assembly	2	EMRV-2000-10
4	AT11400083	11400083	Relief Valve	1	MHW-BWSVL-0
5	AT11400077	11400077	Adapter, Pressure Test	1	MHW-MM-M8x1
6	AT11400275	11400275	Shuttle Valve	1	MHW-WV-1FO
7.1	RV10700009	10700009	Fitting Union with Filter	1	DFV-GE-R3/8"/8
7.2	AT11400204	11400204	Piston	1	MHW-EMRV-1-4
7.3	AT11400205	11400205	Spring	1	MHW-MRV-1-4L
8	AT11400079	11400079	Plug 1/4"	1	VST11/4"ET
9	AT11400078	11400078	Adapter, Return	1	MHW-VB-11-6
10	AT11400179	11400179	Plug M8x1	1	MHW-M8x1



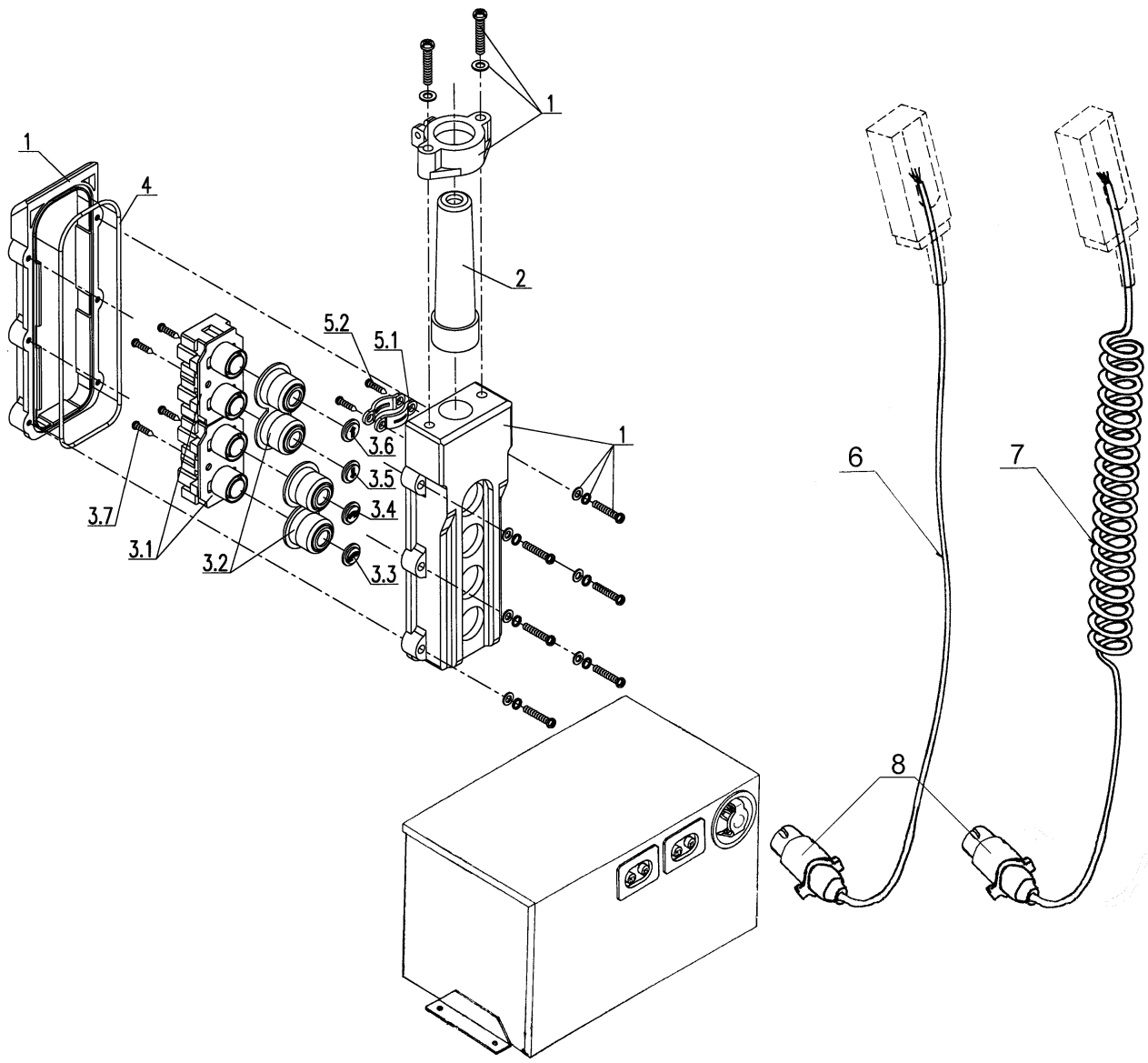
Control on Power Pack

No.	New Part No.	Old Part No:	Description	pcs	Drawing No.
1	AT11400260	11400260	Protective Covering (Plastic)	2	MHW-KEK-2D
2	EA111500645W	---	Contact Block Assy „RAISE/LOWER“	1	“RAISE/LOWER”
	EA111500646W	---	Contact Block Assy „OPEN/CLOSE“	1	“OPEN/CLOSE”
2.1	EA111500650	11500650	Contact Block	2	
2.2	EA111500651	11500651	Label Cover	2	
2.3	EA111500652W	11500652	Label „RAISE“	1	“RAISE”
2.4	EA111500654W	11500654	Label „CLOSE“	1	“CLOSE”
2.5	EA111500653W	11500653	Label „OPEN“	1	“OPEN”
2.6	EA111500655W	11500655	Label „LOWER“	1	“LOWER”
3.1	AT11400269	11400269	Protective Covering (Plastic)	1	MHW-SBR-90
3.2	EA111500486	11500486	Plug, Remote Control	1	MHW-12N7M
4	S200039040085	11800197	Rivet	8	4x8,5
4.1	S200039032115	----	Rivet	4	3,2x11,2
5	S91281040016	----	Cap Screw	4	M4x16
6	S91281050012	11800015	Cap Screw	3	M5x12
6.1	S12741051002	11800119	Lock Washer	3	ø5



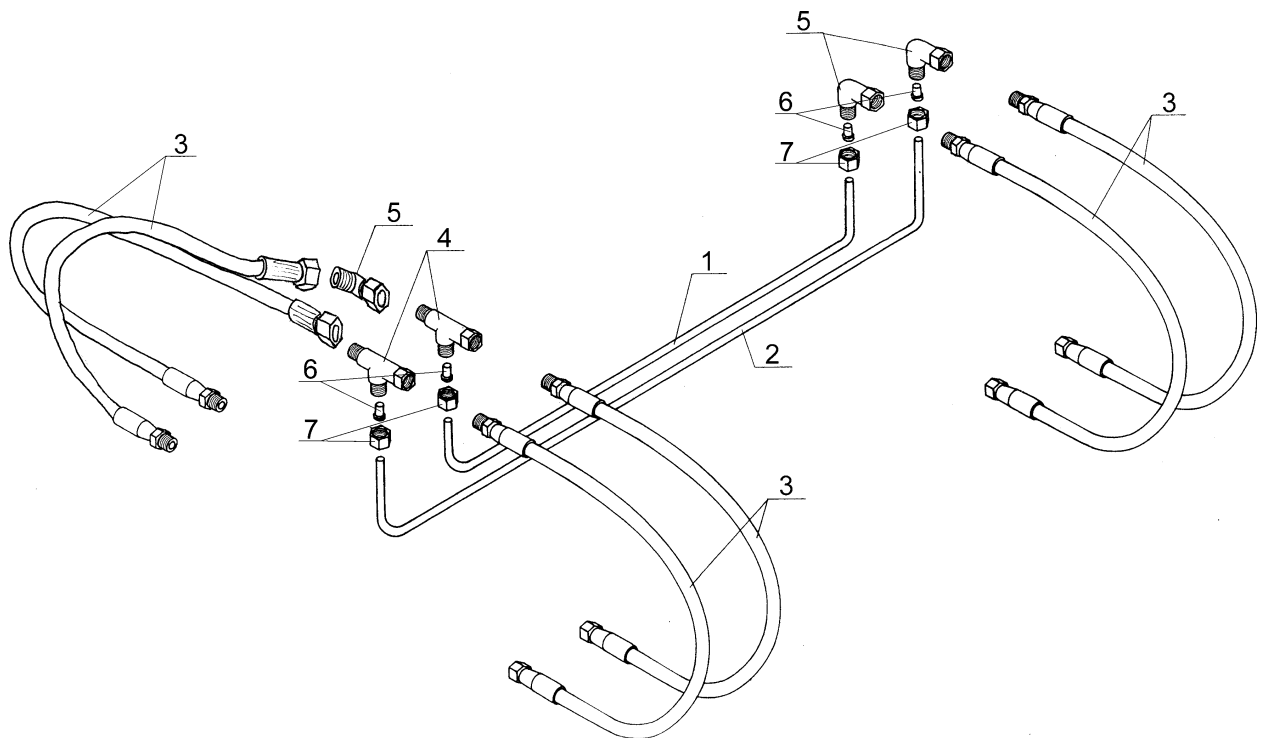
4-Button-Remote-Control

No.	New Part No.	Old Part No:	Description	pcs	Drawing No.
	EA111500605CPKPW	---	4-Button-Remote-Control Assy c/w cable, plug, chain, key, pull out protection and label with wordings	1	MHW-TM-4KM
1	EA111500630	11500630	Housing, 4-Button-Remote-Control	1	
2	EA111500620	11500620	Cable protection	1	
3.1	EA111500613	11500613	Contact Block	2	
3.2	EA111500621	11500621	Cover, Contact Block	2	
3.3	EA111500653W	---	Label „OPEN“	1	
3.4	EA111500654W	---	Label „CLOSE“	1	
3.5	EA111500655W	---	Label „LOWER“	1	
3.6	EA111500652W	---	Label „RAISE“	1	
3.7	EA111500615	11500615	Screw	4	
4	EA111500633	11500633	O-Ring	1	
5.1	EA111500617	11500617	Clamp	2	
5.2	EA111500618	11500618	Screw	2	
6	EA111500072	11500072	Cable for 4-Button-Remote-Cont.	1	7-polig, L=3700mm
7	EA111500066	11500066	Spiral Cable for 4-Button -OPTION	1	7-polig
8	EA111500485	11500485	Adaptor, Remote Control	1	7-polig



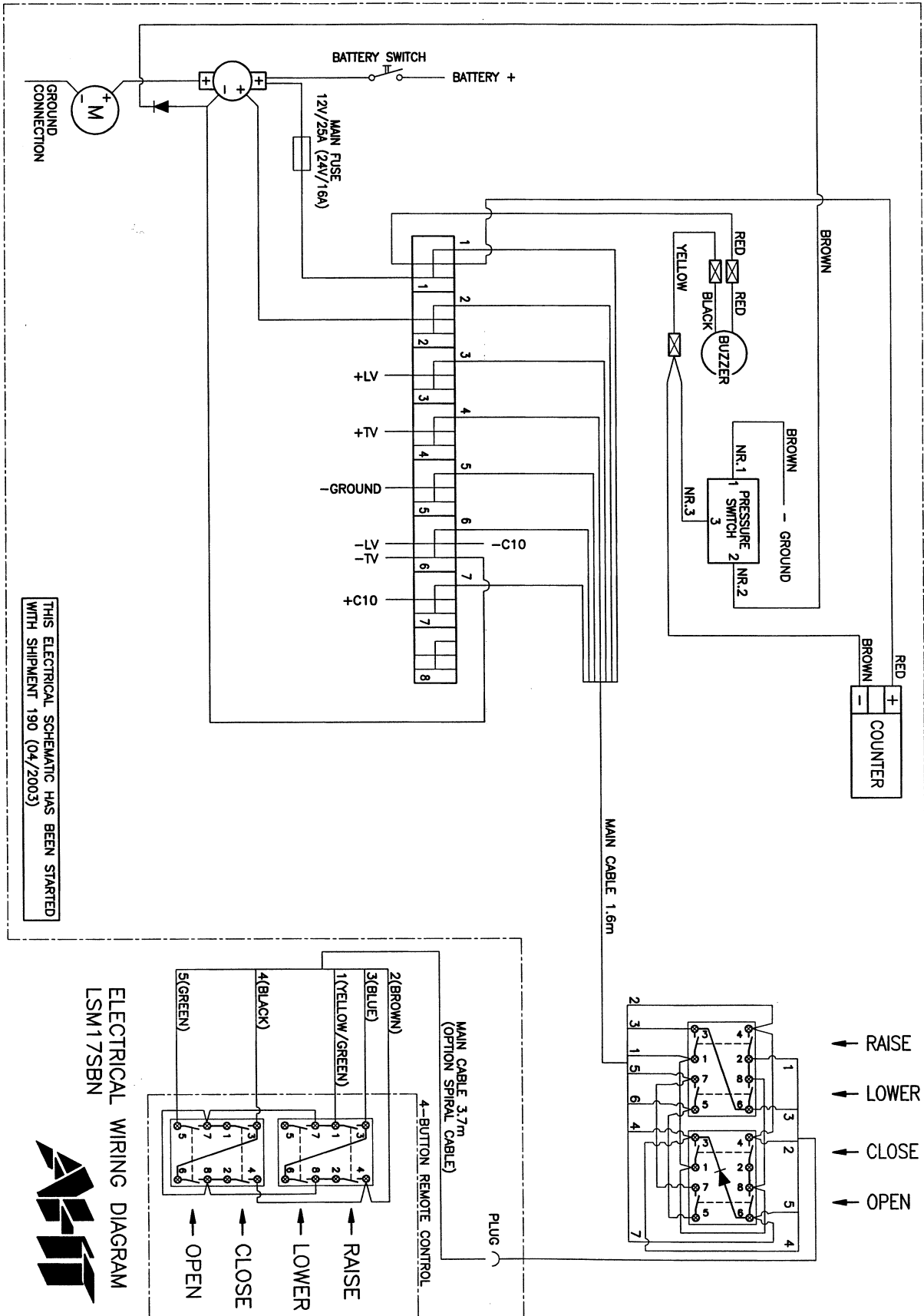
Hydraulic Tubing L-500ST-5MT/1120

No.	New Part No.	Old Part No:	Description	pcs	Drawing No.
	RS0GAS1120	12715205	Hydraulic Tubes Assembly	1	L-500ST-5MT/1120
1	RS1GA11200200	12715220	Hydraulic Tube „Lift“	1	L-500ST-5MT/1120-HZ-1
2	RS1GA11200300	12715215	Hydraulic Tube „Tilt“	1	L-500ST-5MT/1120-SZ-1
3	RS1NG60750A	11700000	High Pressure Hose	6	HP-1/4-750
4	RV10700008	10700008	T - Fitting	2	EL 8-L-OMDK/OM
5	RV10700002	10700002	Elbow, 90 degree Fitting	3	EVW 8-PL/OM
6	RV11700031	11700031	Clipping Ring	4	DPR08L
7	RV11700030	11700030	Nut	4	M08L



Electrical Wiring Diagram

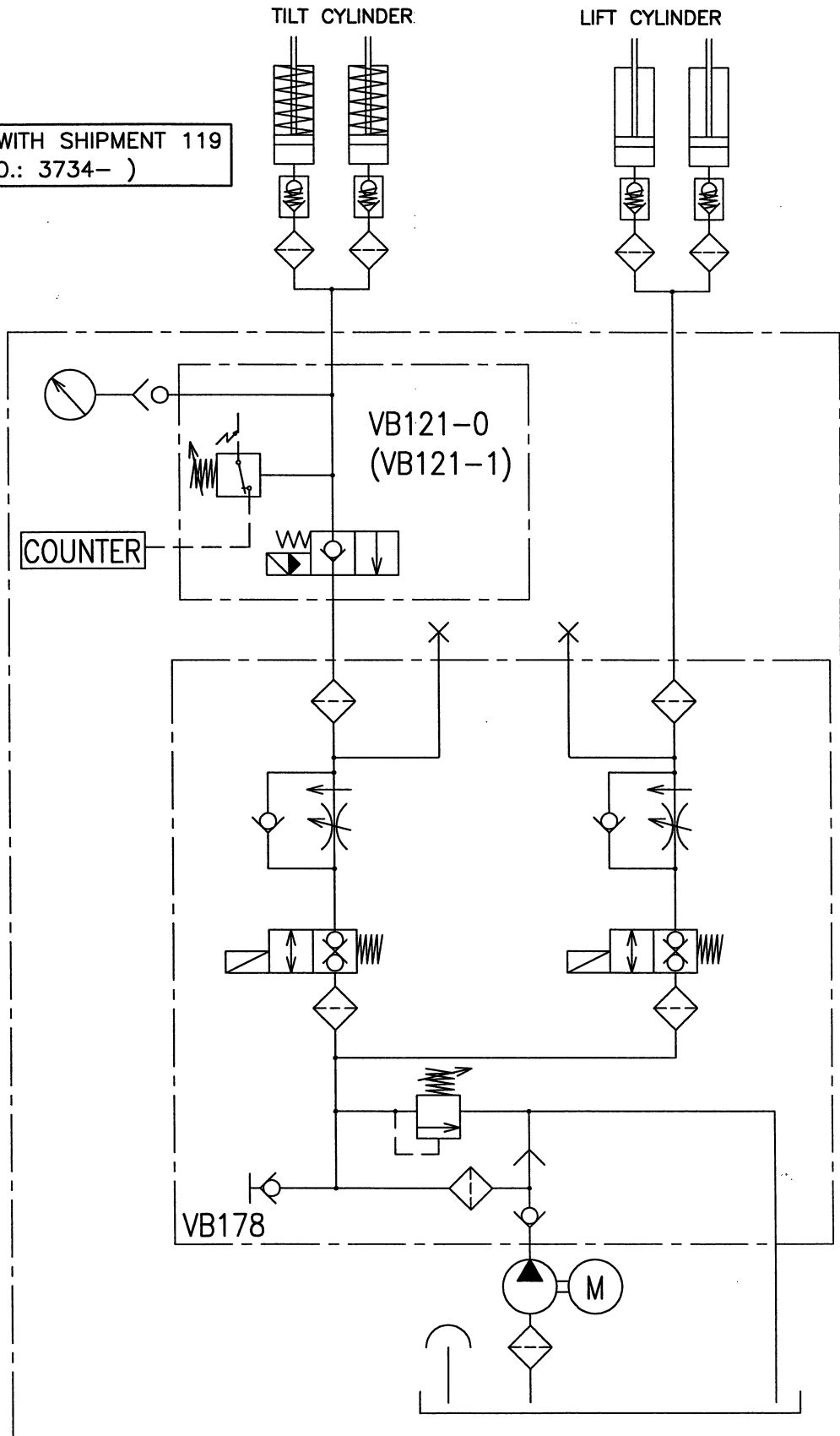
without automatic Leveling and with Safety Loading System
 Mechanical Hose Burst Valve
 4-Button-Remote-Control with Plug



Hydraulic Diagram

Valve Block MHW-VB-178 and MHW-VB-120-1
Mechanical Hose Burst Valve

STARTING WITH SHIPMENT 119
(SERIAL NO.: 3734-)



Index

Page	Description	Type
2	Steel Tail Lift	L-750ST
3	Steel Platform with Roll Stop and Twist Lock	2200mm x 1250mm
4	Cross Beam	L-500ST-1UB/MTL-T-1
4	Lift Arm	L-500-STX-2M-1120
5	Bolts	L-500ST-6
6	Lift Cylinder - Mechanical Hose Burst Valve	HZ-750ST-42
7	Tilt Cylinder - Mechanical Hose Burst Valve	SZ-750ST-42M
8-9	Power Pack without Memory Cylinder and with SLS	S0LMF2-SB1-
10	Motor-Pump	MHW-800/0,61/24
11	Safety Loading System "SLS"	"SLS" - TM1
12	Valve Block	MHW-VB-178
13	Control on Power Pack	
14	4-Button-Remote-Control and Cable	MHW-JP-4KM
15	Hydraulic Tubing - Mechanical Hose Burst Valve	L-500ST-5MT/1120
16	Electrical Wiring Diagram	
17	Hydraulic Diagram	